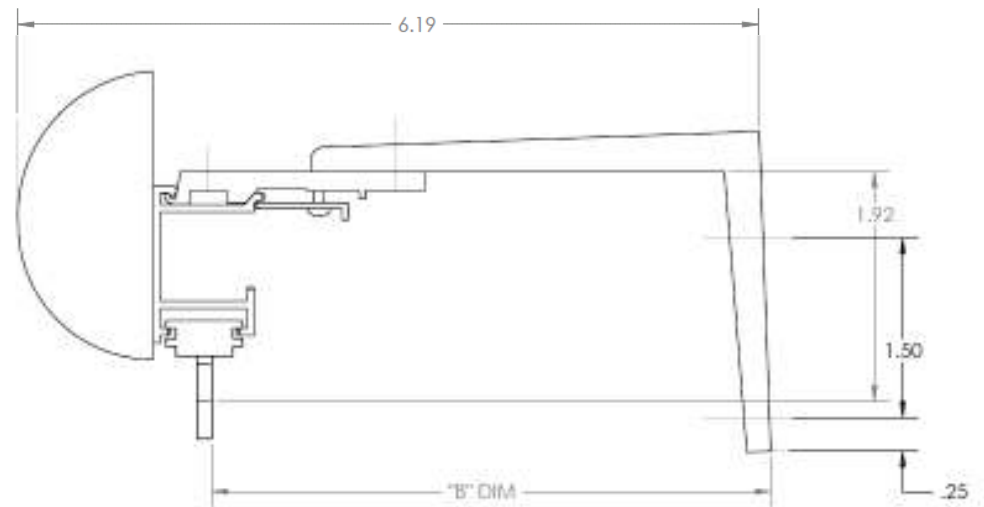
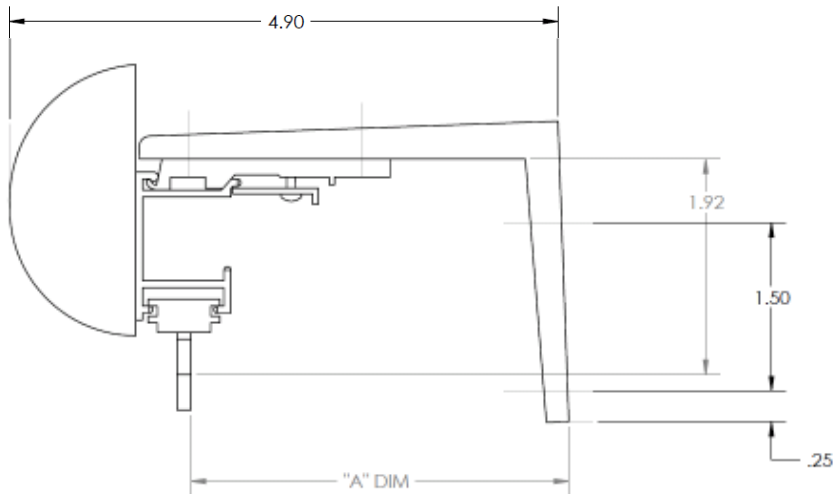


Measurements-Traversal Rods

All traversing track can be adjusted for varying lengths from the wall. The minimum and maximum dimensions are listed as "A" and "B" for regular traversing. All of the dimensions listed from the wall to the end of the pole were created using a 2 ½ inch pole.

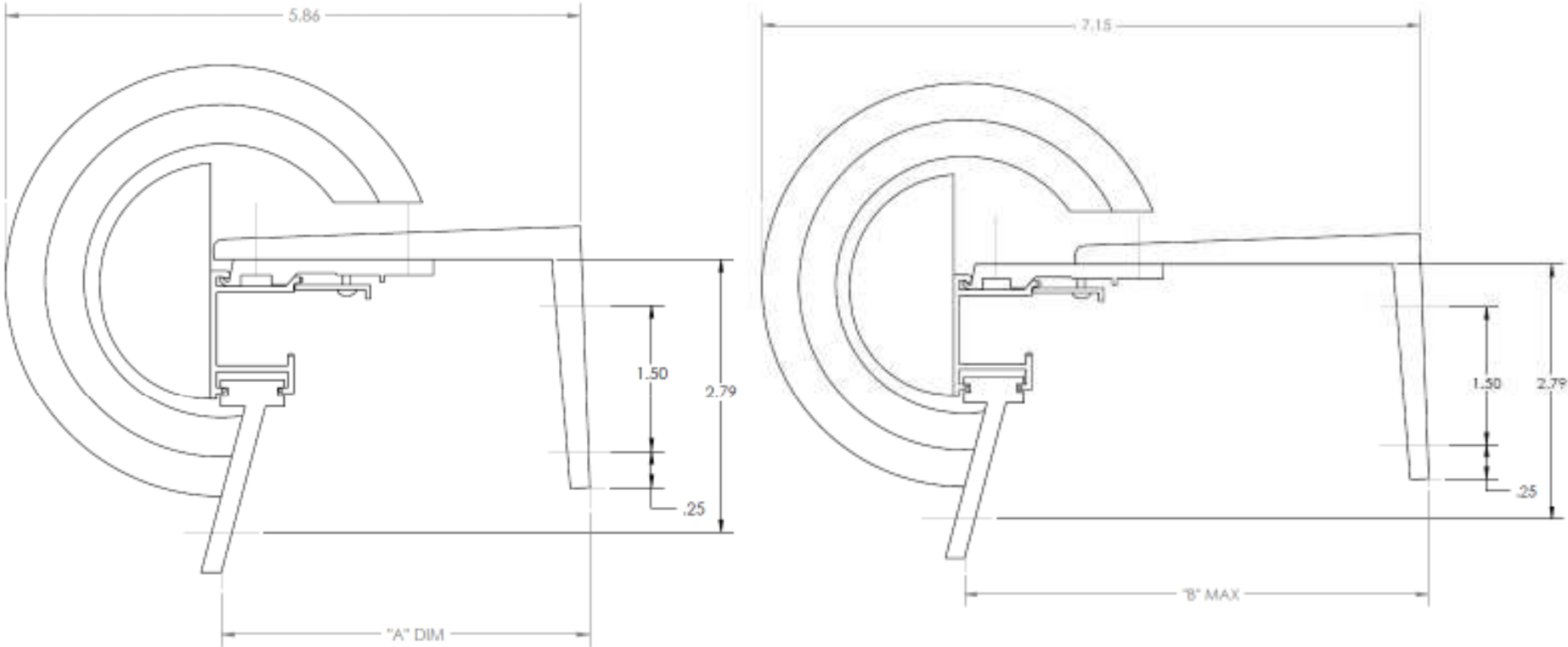
All dimensions are listed in inches.

Standard Traversing



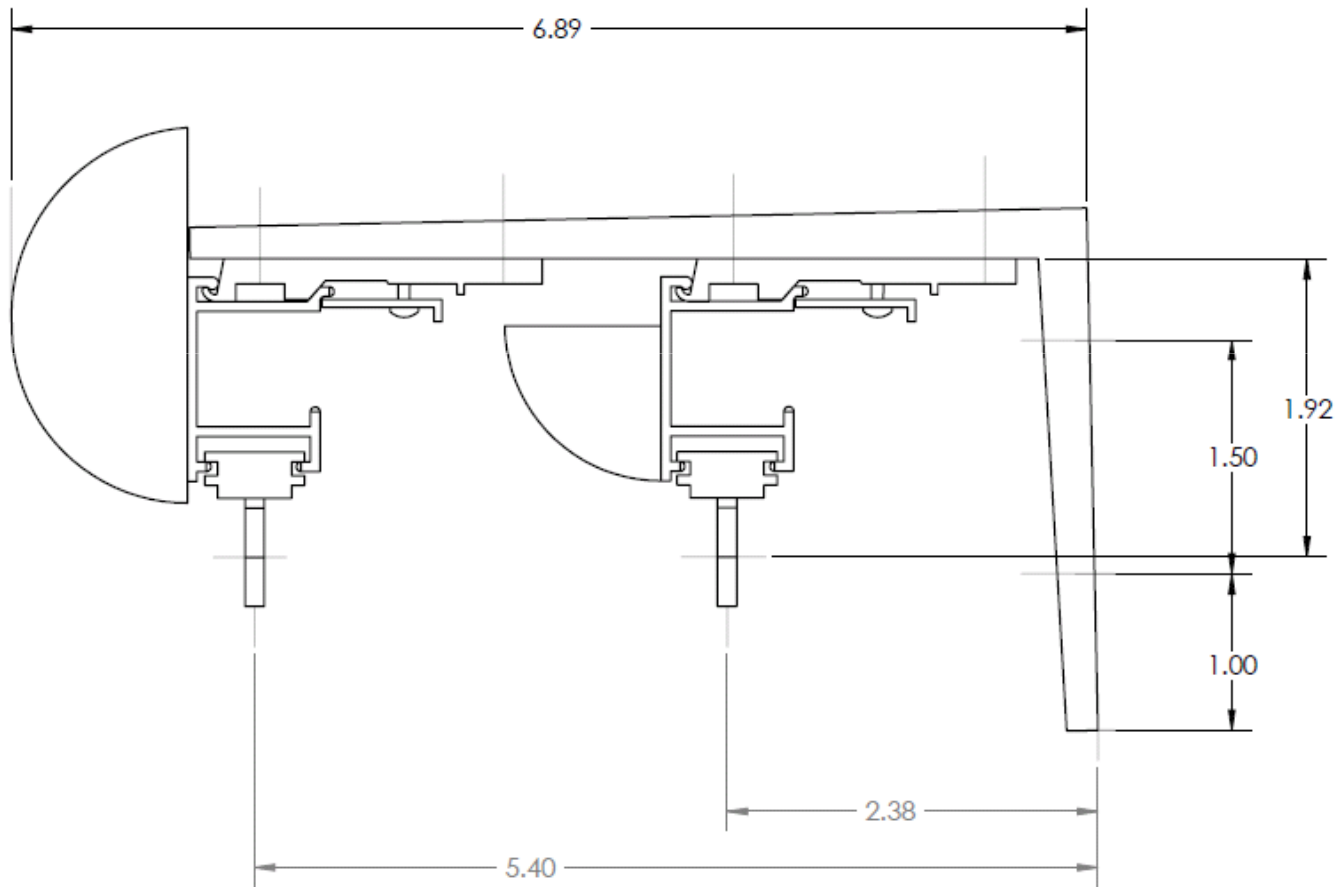
"A"	"B"
3.40"	4.75"

Standard Traversing with C-rings



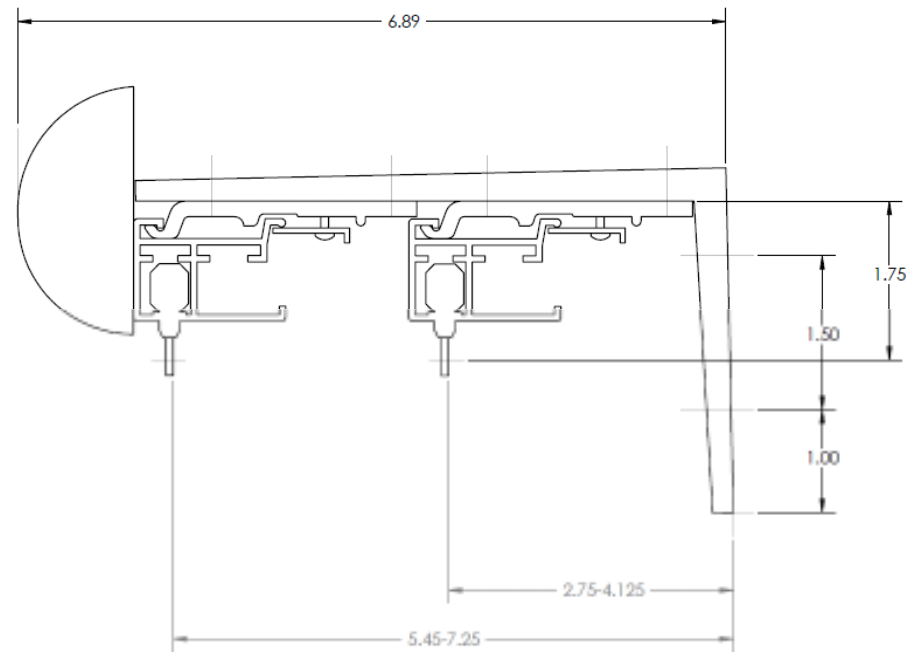
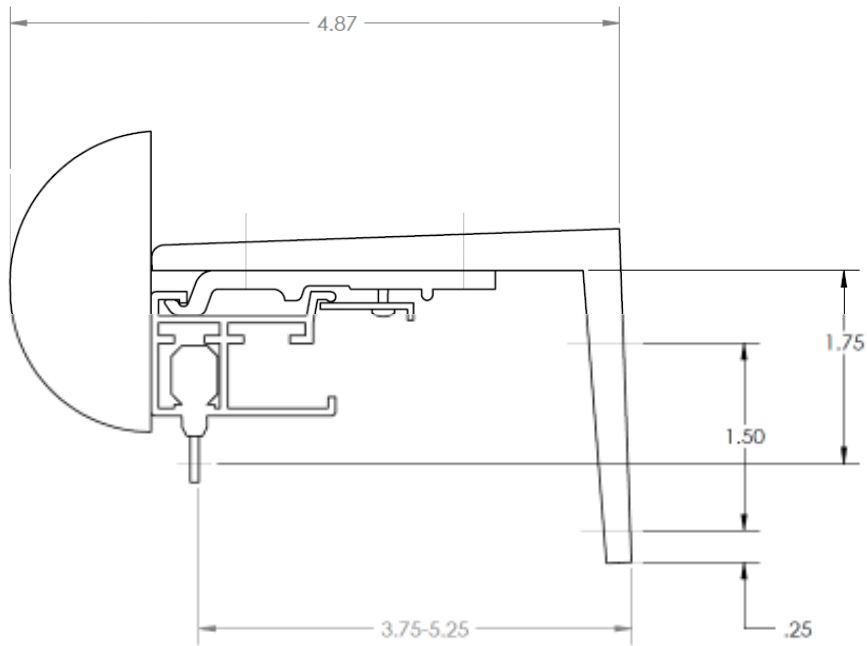
"A"	"B"
3.75"	5.00"

Double Standard Traversing



Single and Double Ball Bearing Traversing

The distance from the wall to the fascia on ball bearing and motorized fascia is shown as the minimum distance.



Motorized Traversing

