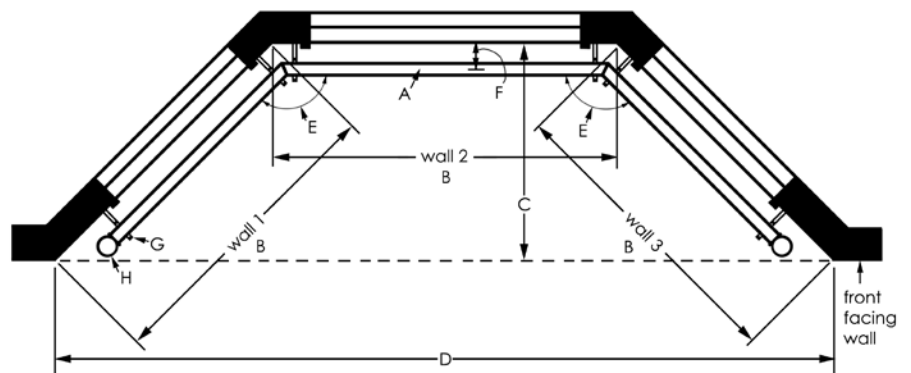


- Bay windows can be tricky, but we have several solutions to help you treat a bay window with style.
- We can miter wood poles, steel poles and traverse fascia to fit any corner.
- Hinged elbows may also be used in each corner to join two poles together. The angle of the elbow can be adjusted to fit the angle of the wall. A support bracket is needed on each side of the elbow for support.



bay window corner miters or soft bends

Required Measurement Information

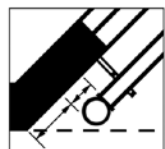
please include with your order:

- pole size and profile.
- length of walls (wall 1, wall 2, and wall 3).
- distance from front facing wall to wall 2.
- width of opening on front facing wall.
- angle of each miter or soft bend.
- return (distance from wall to center of bracket cradle).
- chosen brackets.
- chosen finials.
- chosen rings, if any.
- please make deductions for brackets and finials and provide finished length on order.*

*What are pole deductions?

Pole Deductions for Finials

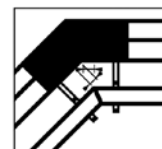
When measuring your pole length for bay window installations, please consider where on wall 1 and wall 3 you want your finials to be positioned. Do you want them behind the opening of the front facing wall? See diagram.



pole deductions for finials

Pole Deductions for Brackets

When measuring your pole length for corner installations, remember that the poles do not reach the corner due to your brackets. See diagram.



pole deductions for brackets